



Disassembly of Waste Electrical and Electronic Equipment (WEEE) Manual

EU Waste Electronic and Electrical Equipment Directive require producers to provide information of the different electronic and electrical materials and components found in their products at its end-of-life, and disassembly references to treatment and recycling facilities.

The disassembly information for this product has been prepared for use by a recognized treatment or recycling facility and is not intended to be used by others.

1. Product information
2. Materials and components list for selective treatment
3. Disassembly tools
4. Disassembly references

The following information is intended only for the use of treatment and recycling facilities.

1. Product information

Model name(s)—Indicate all model name(s) within the product family

Model name
Lexmark CX42x Series – Lexmark MC2325adw, Lexmark CX421adn, Lexmark MC2425adw
Lexmark CX52x Series – Lexmark CX522ade, Lexmark MC2535adwe
Lexmark CX62x Series – Lexmark CX622ade, Lexmark MC2640adwe, Lexmark XC2235, Lexmark CX625ade Lexmark CX625adhe, Lexmark XC4240

* Add rows as needed

2. Materials and components list for selective treatment

Items	Quantity	Notes
Polychlorinated biphenyls (PCB) containing capacitors	0	N/A
Mercury containing components, such as switches or backlighting lamps	0	N/A
Batteries	1	Lithium Manganese Dioxide coin cell located on the Controller card
Printed circuit boards greater than 10 cm ²	multiple	9 – Lexmark CX42x, CX52x 10 – Lexmark CX62x Series Options: 1 – Hard disk drive 1 – 550 Sheet Tray 1 – 650 Sheet Tray For details, see Annex B
Toner cartridges, liquid and pasty, as well as colour toner	9	4 – Toner cartridge 4 – Imaging unit 1 – Waste toner bottle
Plastic containing brominated flame retardants	13	All models Options: +2 for each 550/ 560 Paper handling option / Sheet tray For details, See Annex A
Asbestos waste and components which contain asbestos	0	N/A
Cathode ray tubes	0	N/A
Chlorofluorocarbons (CFC), Hydrochlorofluorocarbons (HCFC) or Hydrofluorocarbons (HFC), Hydrocarbons (HC)	0	N/A
Gas discharge lamps	0	N/A
Liquid Crystal Display (LCD) greater than 100 cm ² and those back-lighted with Gas discharge lamps	1	Lexmark CX62x series only
External electrical cables	1	Power cord located on the back lower right quadrant
Components containing refractory fibres	0	N/A
Components containing radioactive substances	0	N/A
Electrolyte capacitors containing substances of concern (<i>capacitors with height > 25 mm, diameter > 25 mm or proportionately similar volume</i>)	2	Capacitor located on Power Supply
Electrical and Electronic (EE) Customer Replaceable Paper handling devices	2	All models For details, See Annex C
Electrical and Electronic (EE) Customer Replaceable Internal/External Card options	multiple	4 – Lexmark CX42x 6 – Lexmark CX52x 8 – Lexmark CX52x For details, See Annex D

3. Disassembly tools

Item
#2 Phillips screwdriver, magnetic
Wire cutter
E-clip puller or small flat-head screwdriver
Standard slotted head screwdriver

4. Disassembly references

4.1. Removal procedure(s)

WEEE materials and components removal procedures are available upon request.

Contact: recycling@lexmark.com

4.2. Graphical illustration of material's and component's location

1

LCD >100 cm² are identified with cyan-filled boxes

2

PCBs >10 cm² are identified with green-filled boxes

3

Printer components containing Brominated flame retardants are identified with orange-filled boxes

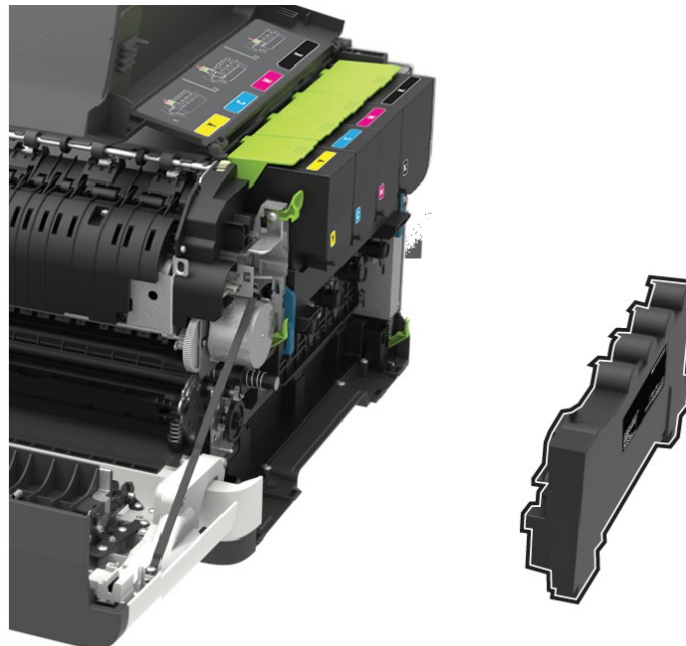
**CX42x, CX52x, CX62x Series
Location**

Supplies

Toner Cartridge

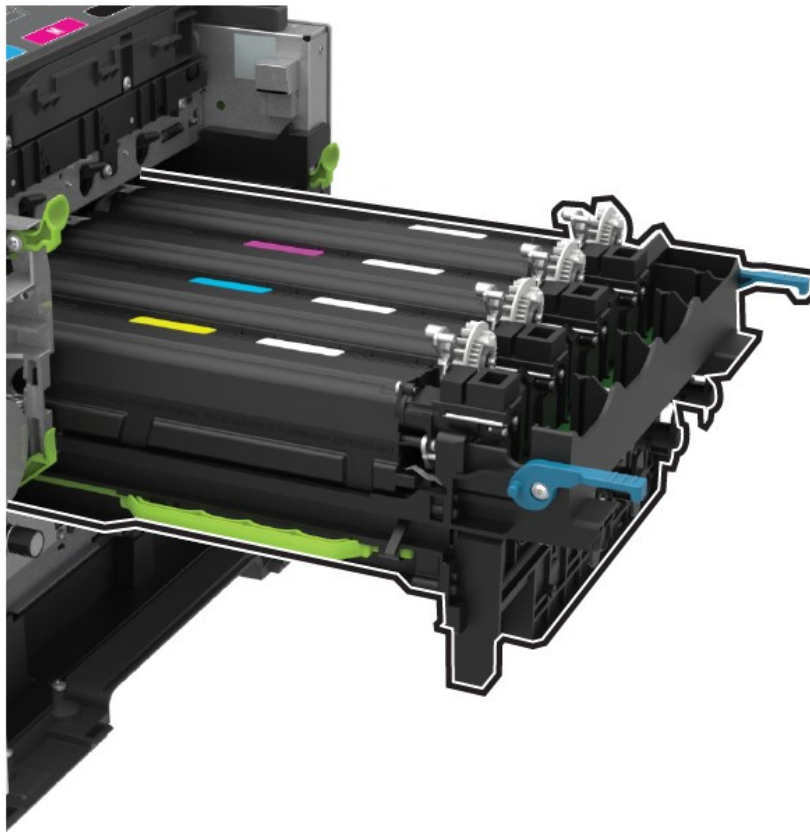


Waste Toner Bottle



**CX42x, CX52x, CX62x Series
Location**

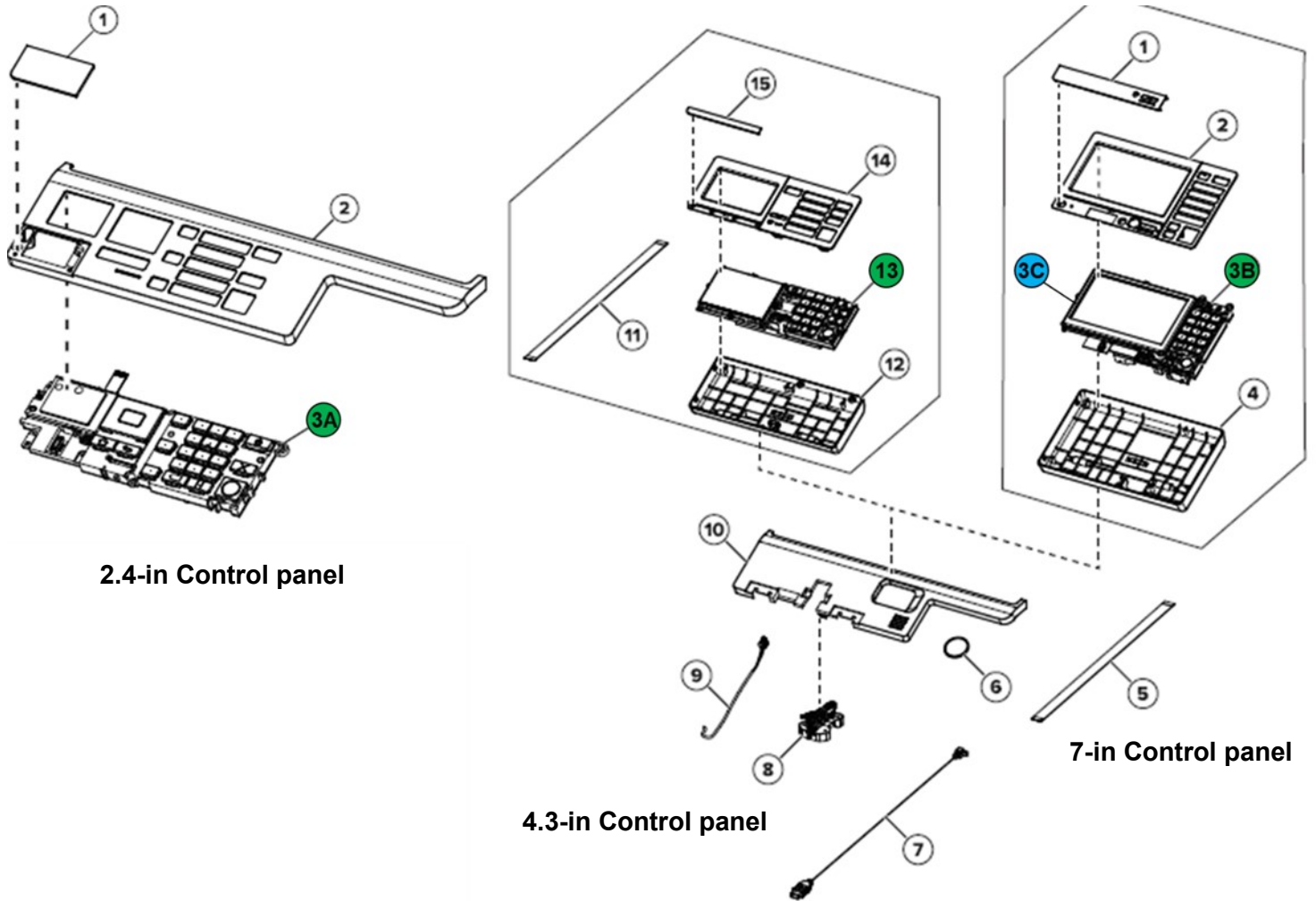
Imaging Unit



**CX42x, CX52x, CX62x Series
Location**

Printed Circuit Boards >10cm² and Brominated Plastic Components

Control Panel



2.4-in Control panel

7-in Control panel

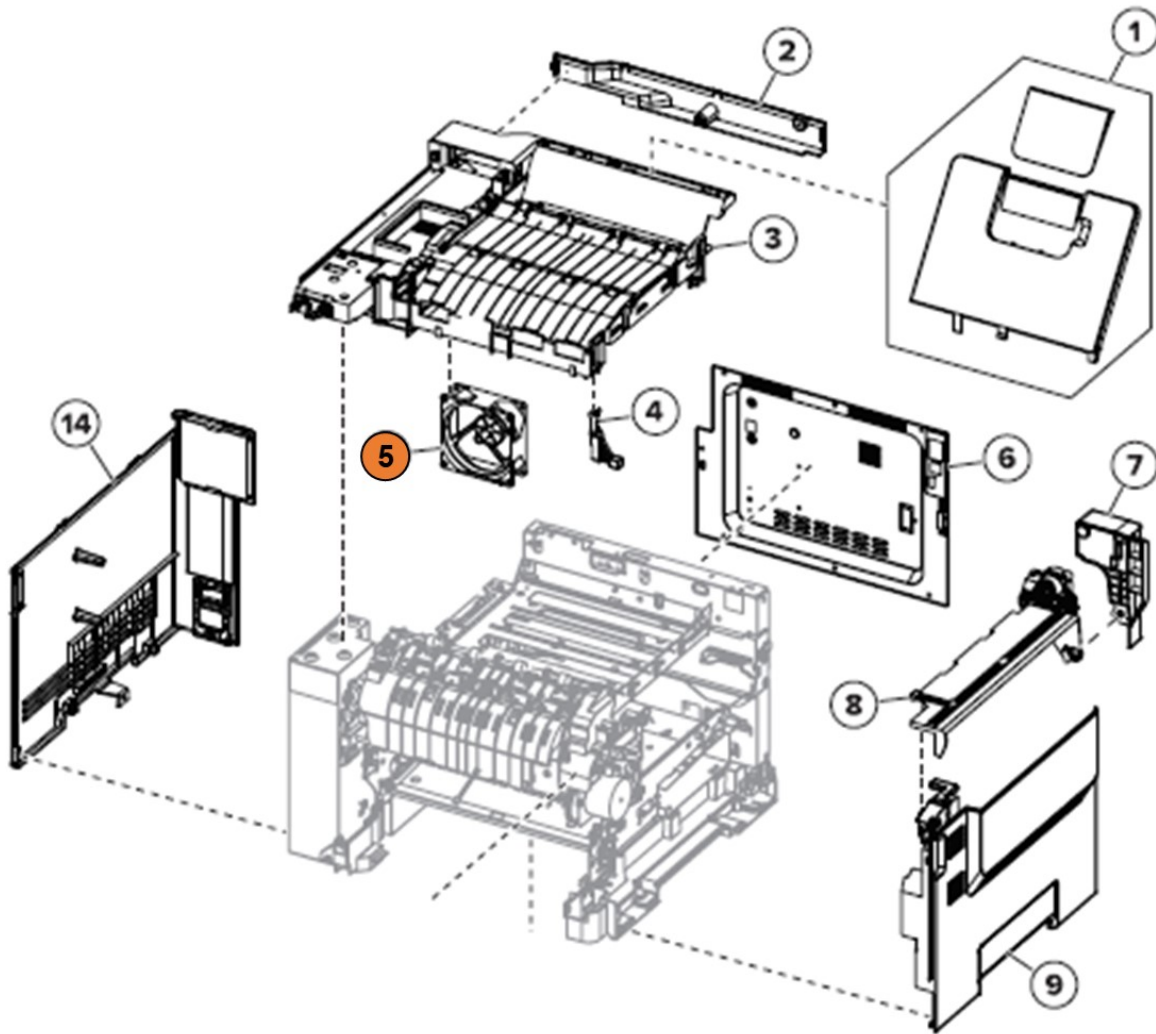
4.3-in Control panel

Index	Description
3A	2.4-in Control panel display assembly UICC board
13	4.3 in Control panel display assembly UICC board
3B	7-in Control panel display assembly UICC board
3C	7-in Control panel display

CX42x, CX52x, CX62x Series
Location

Printed Circuit Boards >10cm² and Brominated Plastic Components

Covers

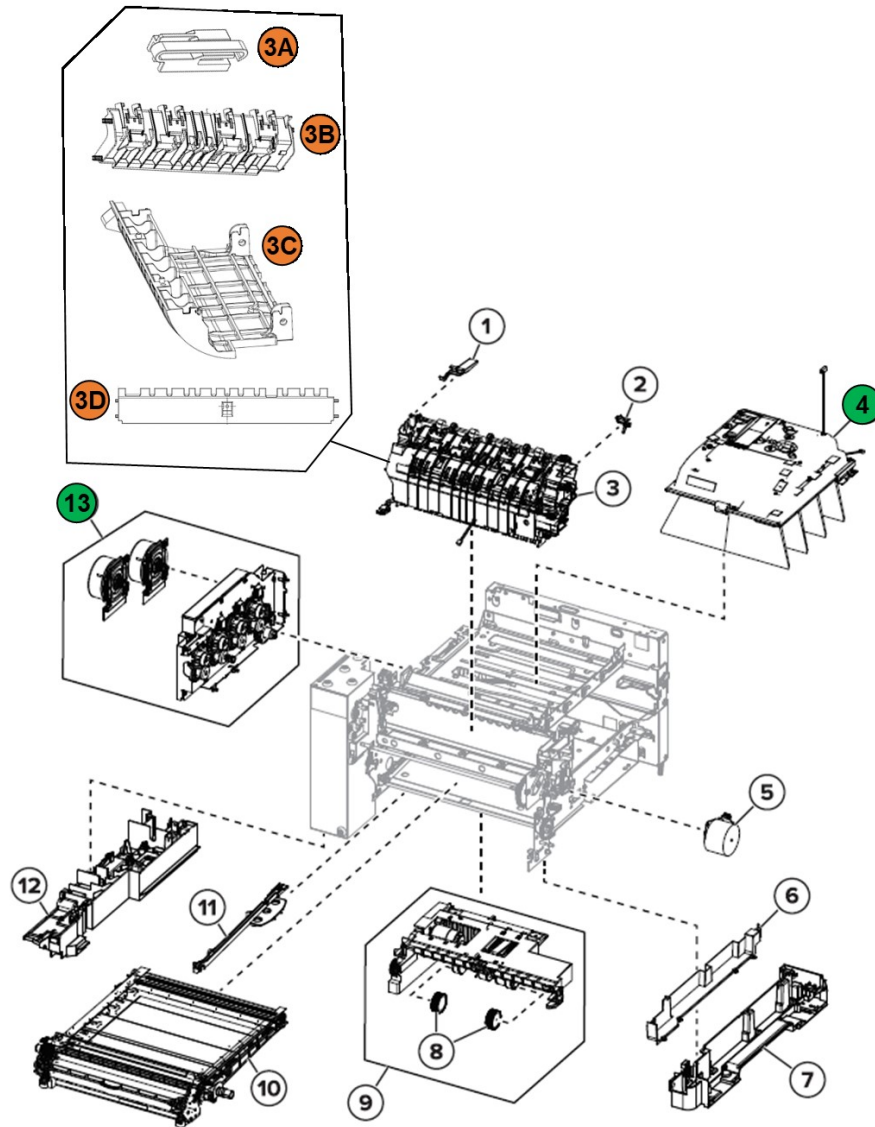


Index	Description
5	System fan

**CX42x, CX52x, CX62x Series
Location**

Printed Circuit Boards >10cm² and Brominated Plastic Components

Paper path and frame & Fuser

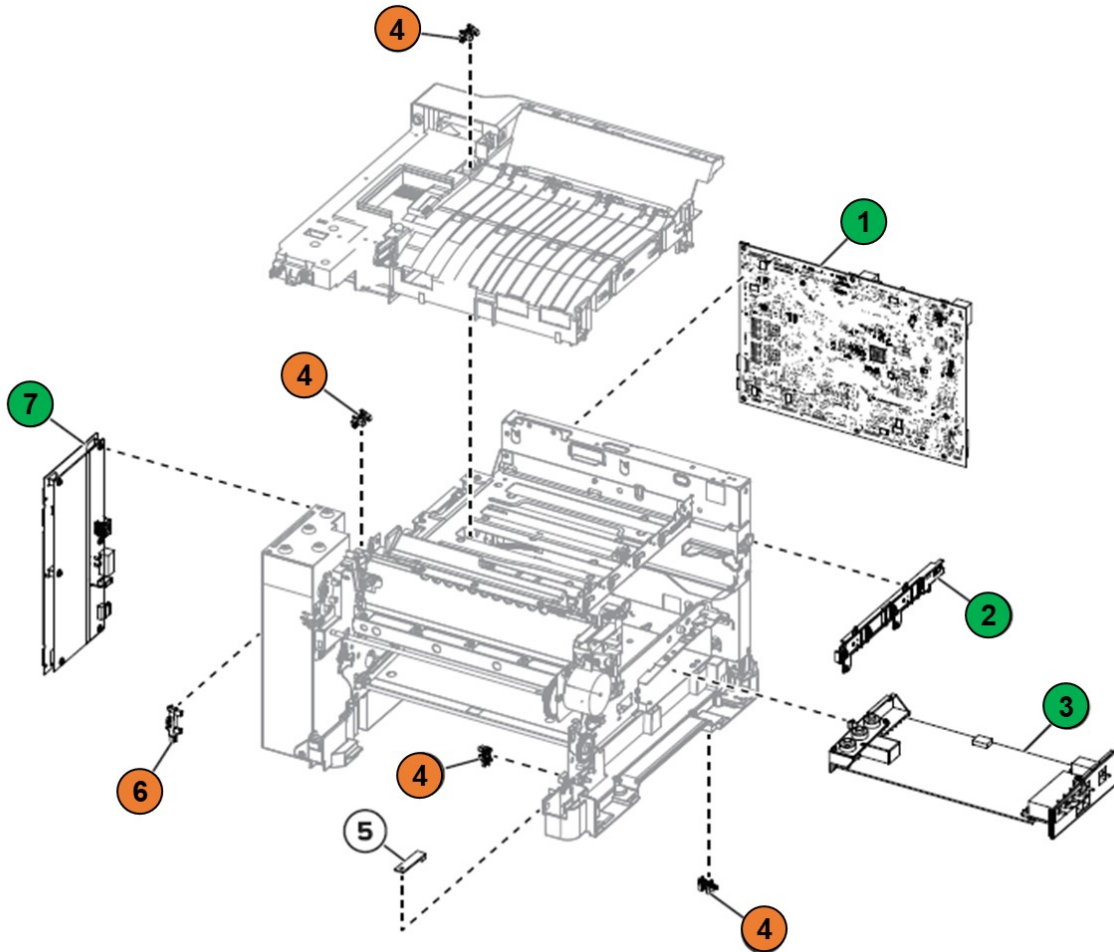


Index	Description
3A	HOUSING-HEATER AC CONNECTOR
3B	GUIDE - INNER EXIT
3C	GUIDE - DUPLEX
3D	GUIDE - ENTRY
4	Printhead card within the assembly
13	EP drive assembly with motor PCB within the assembly

**CX42x, CX52x, CX62x Series
Location**

Printed Circuit Boards >10cm² and Brominated Plastic Components

Electronics

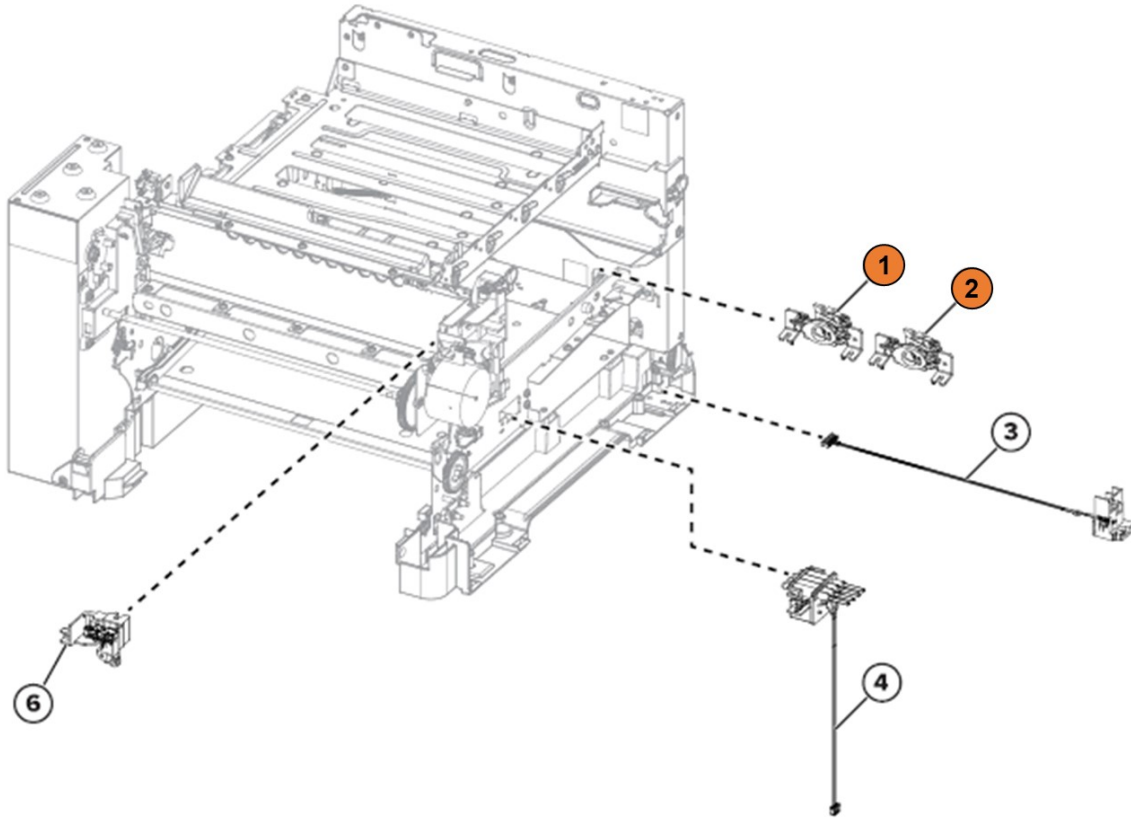


Index	Description
1	Controller board
2	Toner meter card
3	High voltage power supply
4	Sensor (tray present) Sensor (duplex) Sensor (narrow media/bin full)
6	Sensor (fuser exit)
7	110 W low-voltage power supply

**CX42x, CX52x, CX62x Series
Location**

Printed Circuit Boards >10cm² and Brominated Plastic Components

Cables and sensors

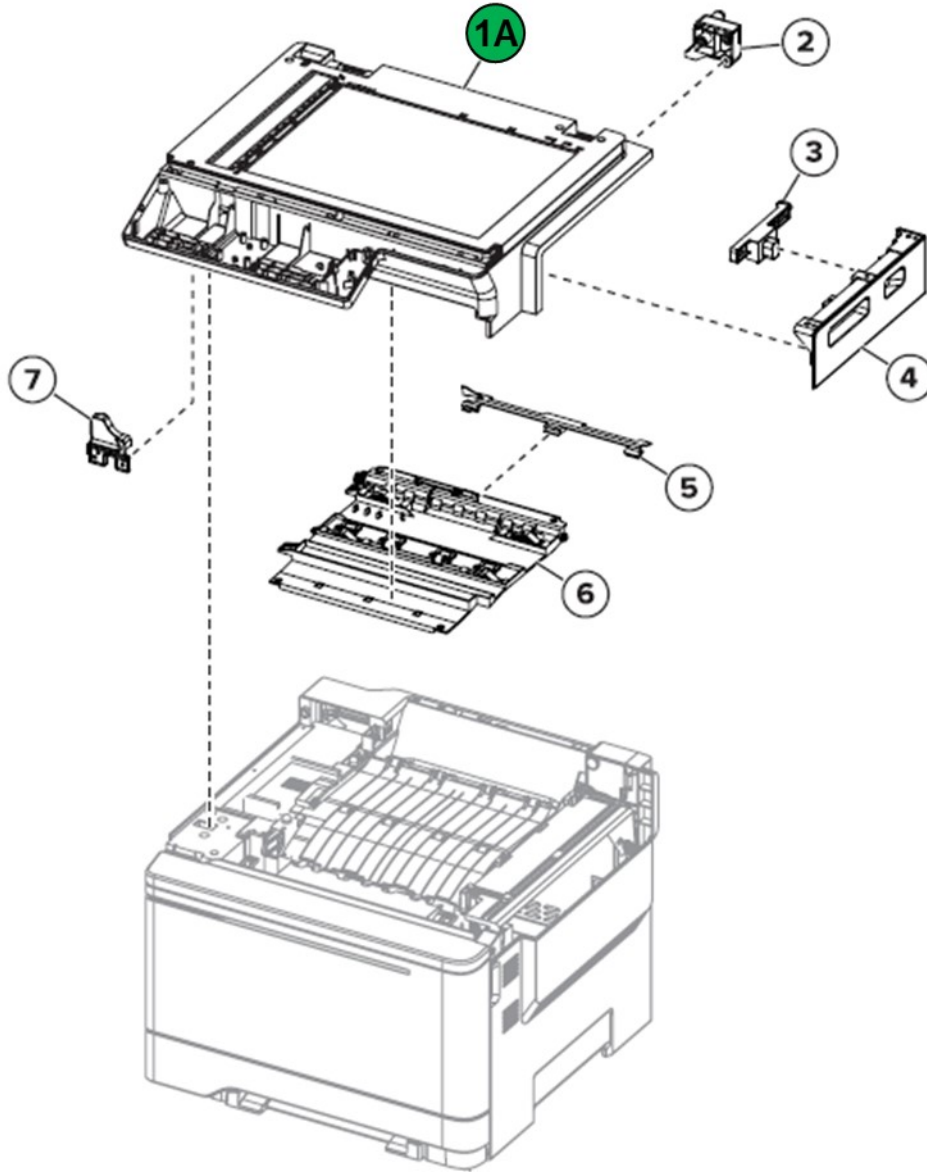


Index	Description
1	Sensor (left toner patch with thermistor)
2	Sensor (right toner patch with thermistor)

CX42x, CX52x, CX62x Series
Location

Printed Circuit Boards >10cm² and Brominated Plastic Components

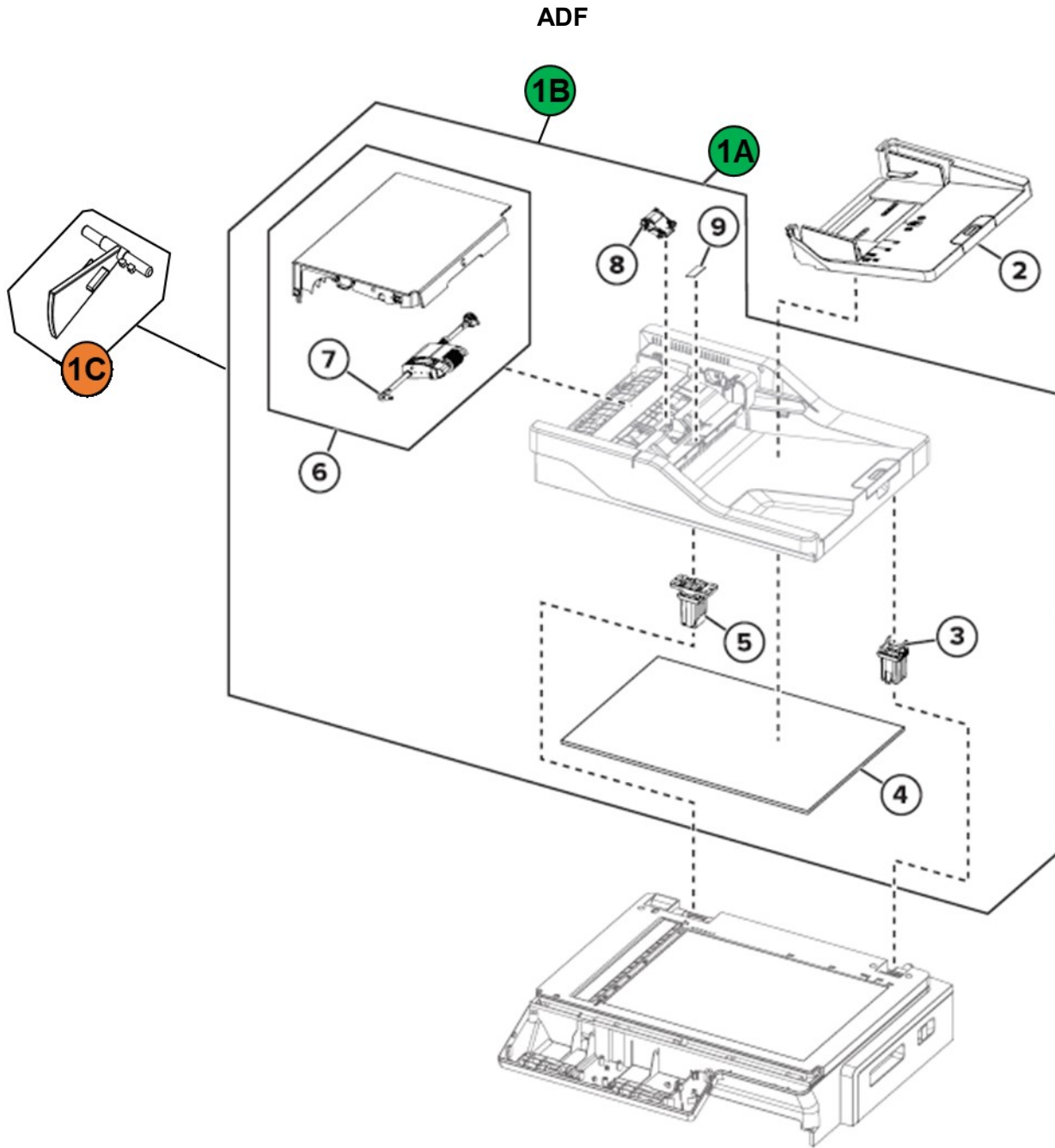
Flatbed Scanner



Index	Description
1A	Image sensor board within Flatbed scanner assembly

**CX42x, CX52x, CX62x Series
Location**

Printed Circuit Boards >10cm² and Brominated Plastic Components



Index	Description
1A	ADF PCB within ADF scanner assembly
1B	CX62x Image sensor board within ADF scanner assembly
1C	Paper present sensor flag within the ADF assembly

**CX42x, CX52x, CX62x Series
Location**

Printed Circuit Boards >10cm² and Brominated Plastic Components

Paper handling options

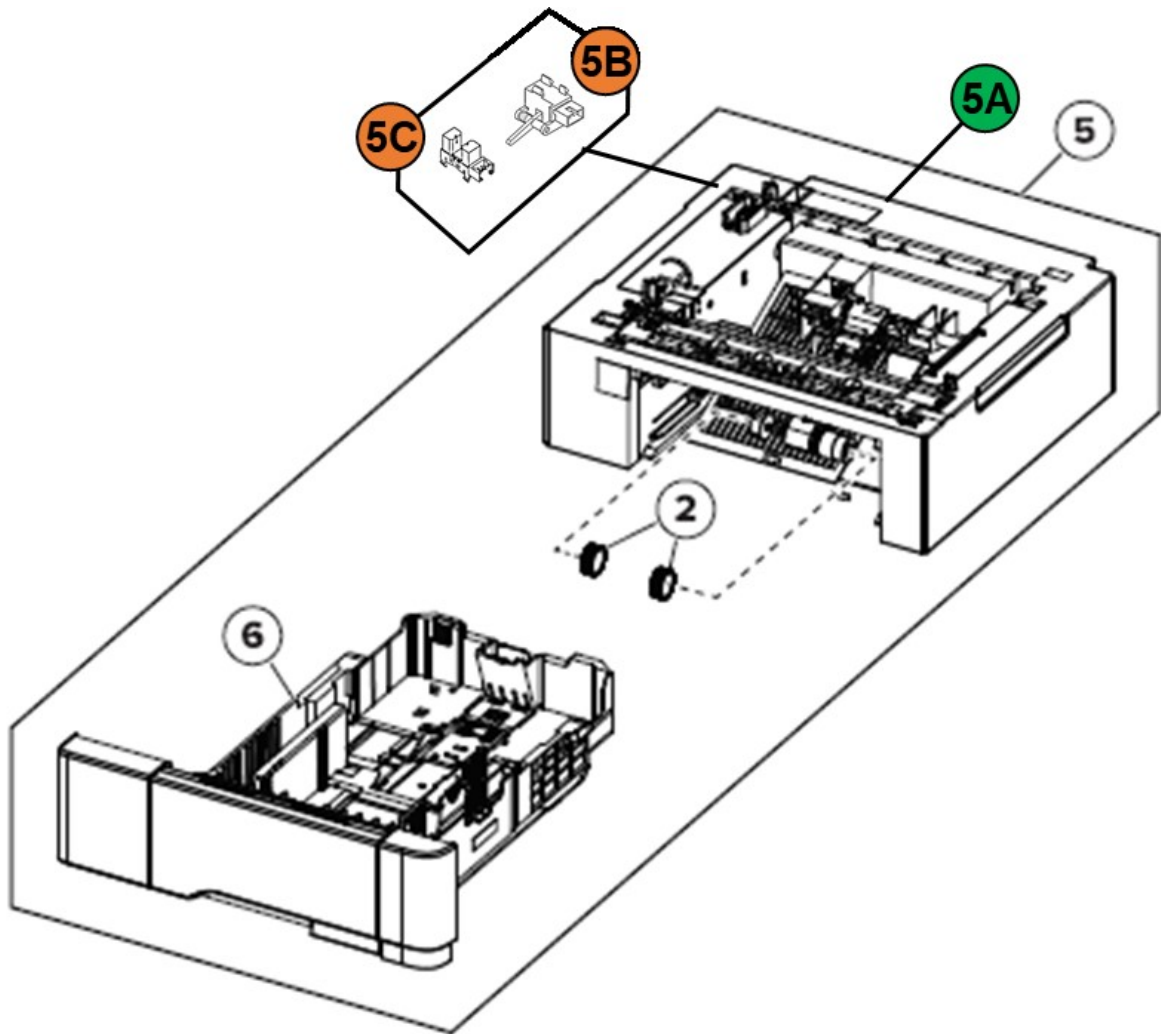


Index	Description
1	650-sheet duo tray
2	550-sheet tray
3	Adjustable printer stand*
4	Swivel cabinet*

Options marked with (*) are non-Electrical and electronic units

CX42x, CX52x, CX62x Series
Location

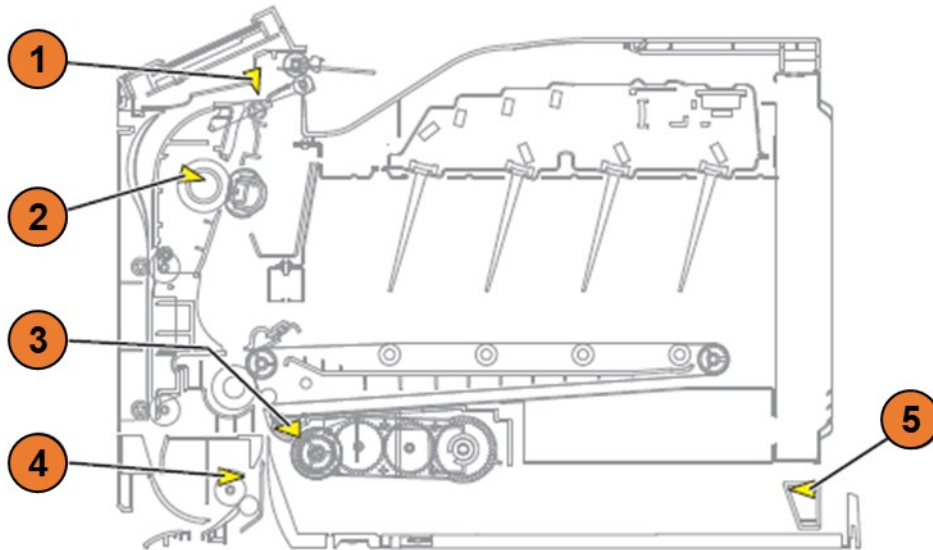
550 / 650 Option tray



Index	Description
5A	PHO card within the assembly
5B	Sensor – Staging within the assembly
5C	Sensor – PHOTOINTERRUPTER within the assembly

**CX42x, CX52x, CX62x Series
Location**

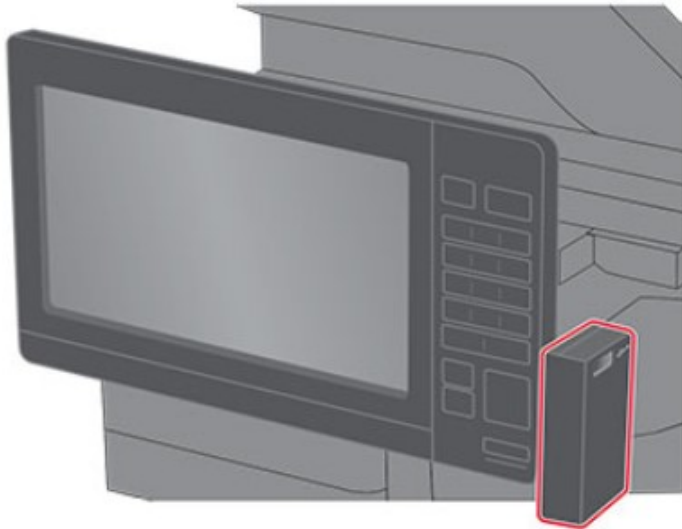
Sensors



Index	Description
1	Sensor (narrow media/bin full)
2	Sensor (fuser exit)
3	Sensor (input)
4	Sensor (redrive/duplex path 1)
5	Sensor (tray present)

CX42x, CX52x, CX62x Series Location

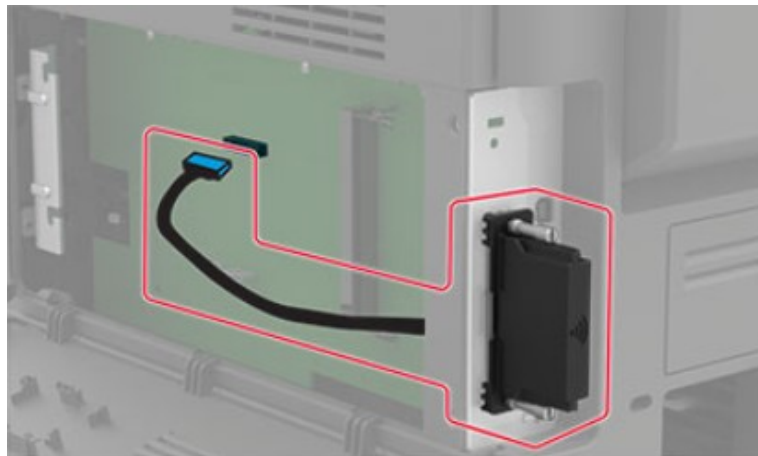
External Options



Authentication card readers¹



Keyboard¹



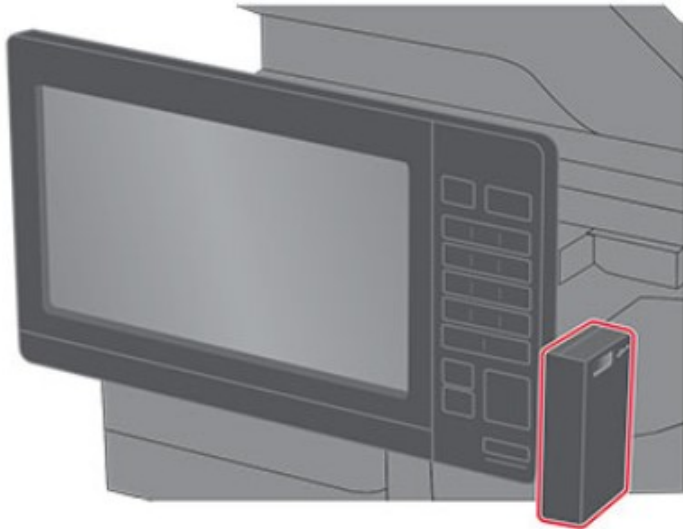
External Print Servers²

Note 1: Illustration shows actual options and their typical locations and mounting at the front side of the printer. However, this does not show the actual printer model.

Note 2: Illustration shows actual options and their typical locations and mounting at the rear side of the printer. However, this does not show the actual printer model.

CX42x, CX52x, CX62x Series Location

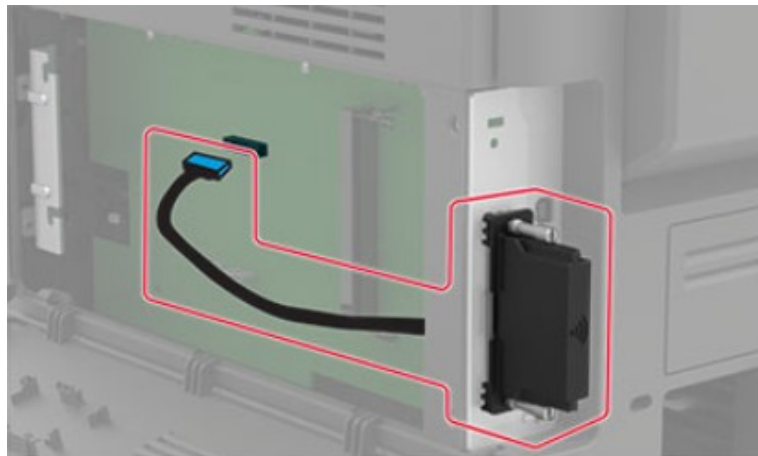
External Options



Authentication card readers¹



Keyboard¹



External Print Servers²

Note 1: Illustration shows actual options and their typical locations and mounting at the front side of the printer. However, this does not show the actual printer model.

Note 2: Illustration shows actual options and their typical locations and mounting at the rear side of the printer. However, this does not show the actual printer model.

**CX42x, CX52x, CX62x Series
Location**

Annex A – Printer components with Brominated Flame Retardants

Index	Description	Parts Marking	Qty	Location
1	System fan	N/A	1	Covers
2	HOUSING-HEATER AC CONNECTOR	PBT-GF15 FR(17)	1	Fuser
3	GUIDE - INNER EXIT	PET-(GF+MD)40 FR(17)	1	Fuser
4	GUIDE - DUPLEX	PET-(GF+MD)40 FR(17)	1	Fuser
5	GUIDE - ENTRY	PET-(GF+MD)40 FR(17)	1	Fuser
6	Sensor (tray present)	N/A	1	Electronics
7	Sensor (duplex)	N/A	1	Electronics
8	Sensor (narrow media/bin full)	N/A	2	Electronics
9	Sensor (fuser exit)	N/A	1	Electronics
10	Sensor (input)	N/A	1	Sensors
11	Sensor (left toner patch with thermistor)	N/A	1	Cables and Sensors
12	Sensor (right toner patch with thermistor)	N/A	1	Cables and Sensors
13	Sensor – Staging	N/A	1	550 / 650 Option tray
14	Sensor – PHOTOINTERRUPTER	N/A	1	550 / 650 Option tray
15	Paper present sensor flag	N/A	1	ADF

**CX42x, CX52x, CX62x Series
Location**

Annex B – Printed Circuit Boards >10cm2

Index	Description	Quantity	Location	CX42x CX52x	CX62x
1	2.4-in Control panel display assembly UICC board	1	Control panel	X	
	4.3-in Control panel display assembly UICC board	1	Control panel	X	
	7-in Control panel display UICC card	1	Control panel		X
2	Printhead card	1	Paper path and frame	X	X
3	EP drive assembly with motor PCB	2	Paper path and frame	X	X
4	Controller board	1	Electronics	X	X
5	Toner meter card	1	Electronics	X	X
6	High voltage power supply	1	Electronics	X	X
7	110 W low-voltage power supply	1	Electronics	X	X
8	Image sensor board	1	Flatbed Scanner	X	X
9	CX62x Image sensor board	1	ADF		X
10	ADF PCB	1	ADF	X	X
11	550 or 650 PHO card	1	550 / 650 Option tray	X	X
12	Hard disk drive	1	Attached to Controller board	X	X

**CX42x, CX52x, CX62x Series
Location**

Annex C – Electrical and Electronic (EE) Customer Replaceable Paper Handling Devices

Index	PN	Description	Locations	CX42x	CX52x	CX62x
1	42C7650	650-sheet duo tray	Paper handling options		X	X
2	42C7550	550-sheet tray		X	X	X

Annex D – Electrical and Electronic (EE) Customer Replaceable Internal/ External Card Options

Index	PN	Description	Locations	CX42x	CX52x	CX62x
1	57X9801 57X0204	Memory options	Attached to Controller board	X	X	X
2	57X0185	Security card				X
3	40C9200 40C9201	Firmware cards (Forms and Bar code, Prescribe, IPDS)		X	X	X
4	57X9810 57X9812 57X9814 57X9815	Font cards		X	X	X
5	27X0800 27X0801 27X0812	Interface cards			X	X
6	57X0300 57X0301	Authentication card readers	External options		X	X
7	27X6410	Wireless		X	X	X
8	57X7040	Keyboard				X